

WORKSHOP SPECIFICATIONS

MODULAR CABINETS XL³ 125



THE GLOBAL SPECIALIST IN ELECTRICAL AND
DIGITAL BUILDING INFRASTRUCTURES



CABINETS

XL³ 125

XL³ 125 cabinets are modular surface-mounting cabinets, with 1 to 4 rows of 18 modules, which can accommodate a distribution block up to 125 A.

Thanks to the tilting removable chassis and rails which can be taken out without tools, XL³ 125 cabinets offer unobstructed access when connecting cables.

SPECIFICATIONS

- Class II insulated cabinet
- Cabinet without door: IP 30-IK 08
- Cabinet with optional door: IP 40-IK 09
- Self-extinguishing:
 - 650°C (cabinets supplied without terminal blocks)
 - 750°C (cabinets supplied with terminal blocks)
- Conforming to current standards EN 60439-3, EN 60670-24, EN 62208
- Colour of box and cover: white RAL 9003
- Rated operating and insulation voltage: 400 V~ 50/60 Hz
- Short-circuit current: 10 kA
- Maximum permissible current:
 - Cat.No 4 016 11/52/53/76 = 63 A
 - Cat.No 4 016 12/77 = 90 A
 - Cat.No 4 016 13/14/78/79 = 125 A

CHOICE OF PRODUCTS

The XL³ 125 range consists of "fully modular" cabinets with 1 to 4 rows of 18 modules as well as electrical boxes (for France only) which can take a main circuit-breaker on its own, or a circuit-breaker and a single-phase electrical energy meter.



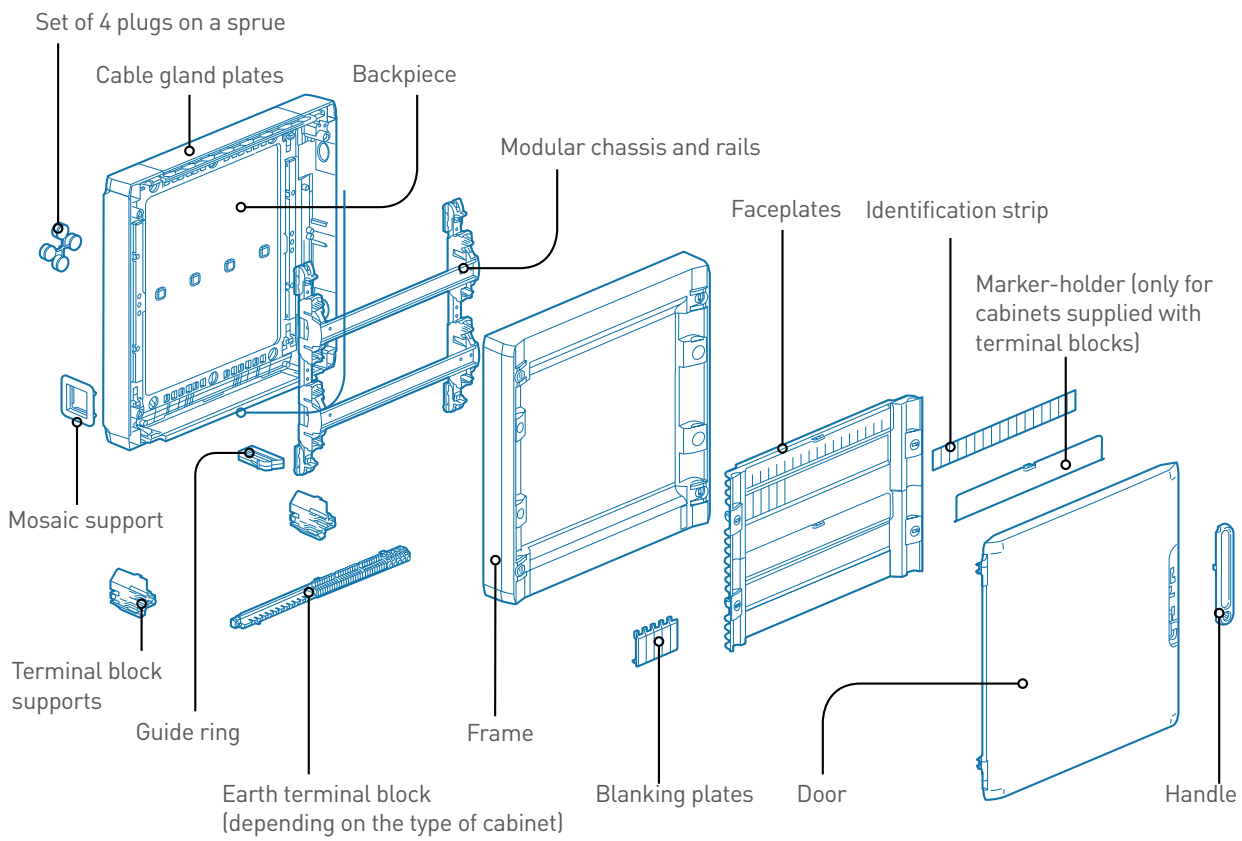
"FULLY MODULAR" XL³ 125 CABINETS



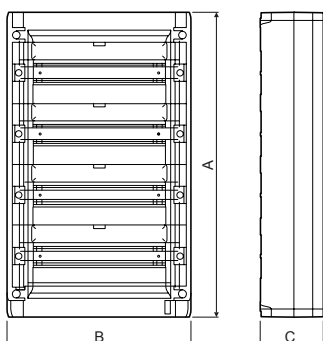
XL³ 125 ELECTRICAL BOX

	NUMBER OF ROWS	NUMBER OF MODULES	CABINET CAT.NO	
			Supplied with terminal blocks	Supplied without terminal blocks
"Modular" cabinets	1	18	4 016 11	4 016 76
	2	36 (2 x 18)	4 016 12	4 016 77
	3	54 (3 x 18)	4 016 13	4 016 78
	4	72 (4 x 18)	4 016 14	4 016 79
Electrical boxes	1	Incoming circuit-breaker only	4 016 52	-
	1	Incoming circuit-breaker + energy meter	4 016 53	-

SCHEMATIC VIEW OF AN XL³ 125 CABINET



DIMENSIONS



CAT.NO		A (mm)	B (mm)	C (mm)	
				Without door	With door
4 016 11	4 016 76	300	128,2	150	
4 016 12	4 016 77	450			
4 016 13	4 016 78	600			
4 016 14	4 016 79	750			
4 016 52/53		300			

PREPARING THE CABINETS FOR USE



XL³ 125 cabinets are supplied assembled and packed in individual boxes. These can be re-used for onward shipping.



We recommend using a 6.5 mm flat screwdriver to open and close the XL³ 125 cabinets, and also for positioning the faceplates with a ¼ turn, for which 1 Nm tightening torque is sufficient.

XL³ 125 cabinets are supplied with an insulated earth terminal block (IP 2x), see specifications in the chart below.



CAPACITY OF TERMINAL BLOCKS SUPPLIED WITH THE CABINETS

CABINET CAT. NO	AUTOMATIC CONNECTION EARTH TERMINAL BLOCK			IP 2X SCREW TERMINAL BLOCKS	
	Automatic terminals 1.5 to 4 mm²	Screw terminals 6 to 25 mm²	Screw terminals 6 to 35 mm²	Earth (green)	Neutral (blue)
4 016 11	18 (2 x 9)	5	-	-	-
4 016 12	27 (3 x 9)	5	-	-	-
4 016 13	36 (4 x 9)	5	-	-	-
4 016 14	45 (5 x 9)	5	5	-	-
4 016 76	-	-	-	1 x 25 mm² +16 x 16 mm²	1 x 25 mm² +16 x 16 mm²
4 016 77	-	-	-	1 x 25 mm² +21 x 16 mm²	1 x 25 mm² +21 x 16 mm²
4 016 78	-	-	-	1 x 25 mm² +26 x 16 mm²	1 x 25 mm² +26 x 16 mm²
4 016 79	-	-	-	2 x 25 mm² +33 x 16 mm²	2 x 25 mm² +33 x 16 mm²

ACCESSORIES SUPPLIED WITH THE CABINETS

CABINET CAT. NO	5-MODULE BLANKING PLATES	MOSAIC GRID	GUIDE RINGS	SET OF 4 PLUGS ON A SPRUE	18-MODULE IDENTIFICATION STRIPS
4 016 11	1	1	-	2	1
4 016 12	2	1	2	2	2
4 016 13	3	1	3	2	3
4 016 14	3	1	4	2	4
4 016 76	1	-	-	2	1
4 016 77	2	-	-	2	2
4 016 78	3	-	-	2	3
4 016 79	3	-	-	2	4
4 016 52	3	-	-	2	1
4 016 53	1	-	-	2	1

CABINET ACCESSORIES

JOINING KIT – CAT.NO 4 018 45

The joining kit is used to join two XL³ 125 cabinets horizontally or vertically.



Two cabinets of the same height or width can be joined together, and also cabinets of different heights. Electrical boxes can be joined vertically, or horizontally on a taller cabinet.

DOORS – CAT.NO 4 018 61/62/63/64/71/72/73/74

The doors are reversible and come in transparent plastic or opaque white (RAL 9003).



A snap connection system means the door is easily fitted without needing to hold it. For maximum safety, the grey handle (RAL 7035) with two locking points can be fitted with a key-operated lock Cat.No 4 018 51.

KEY-OPERATED LOCK – CAT.NO 4 018 51

The key-operated lock is fitted on the door handles of the XL³ 125 cabinets. The keys are Eurolocks no. 850.



FIXING LUGS – CAT.NO 4 018 56

This catalogue number comprises four lugs for fixing XL³ 125 cabinets from the outside. The lugs are fixed at the back of the cabinets and can be positioned vertically or horizontally.

The various fixing centres are specified on pages 11 and 12.



DOCUMENT HOLDER – CAT.NO 4 018 44

This self-adhesive document holder can hold electrical diagrams, instructions, etc for the cabinet. It is attached to the cabinet low down on the front, and does not obstruct use of a door. Its repositioning system allows the document holder to be removed in order to open the faceplate, without touching the frame of the cabinet.



SOLID FACEPLATE – CAT.NO 4 018 55

The solid faceplate is fitted in place of a modular faceplate. It is used to integrate non-modular products (OSMOZ control and signalling auxiliary, etc). The faceplate useful area is 318 x 144 mm.



DOUBLE TERMINAL BLOCK SUPPORT – CAT.NO 4 018 57

This terminal block support is in addition to the one already supplied with XL³ 125 cabinets. It allows terminal blocks to be added with the empty support Cat.No 4 048 21.

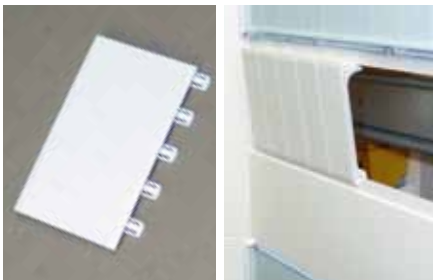


The support can be removed simply by pressing its base on the inside, without any tools.

BLANKING PLATE – CAT.NO 0 016 60

In addition to those already supplied in the cabinets, blanking plates can be used to close the modular windows in the XL³ 125 cabinet faceplates. Each 5-module strip of blanking plates, white RAL 9003, can be separated into half-modules.

It is also possible to use separable blanking plates Cat.No 0 016 62 and 0 016 64 of 13 and 18 modules respectively, white RAL 9010.



PERFORATED PLATE – CAT.NO 4 018 53

The perforated plate is fixed in place of a modular rail, on the metal uprights of XL³ 125 cabinets with 2 or more rows, using the four screws supplied. Its useful area is 342 x 144 mm, and when the plate is fixed under a solid faceplate, the space is 85 mm.



MOSAIC SUPPORT – CAT.NO 4 018 50

This accessory is used for fixing a 2-module mechanism from the Mosaic range on one side of the XL³ 125 cabinet. The cabinets have 2 slots at the top and bottom of each side panel.



USING THE CABINET

REMOVABLE CHASSIS AND RAIL

The XL³ 125 cabinet is simple to install on-site, in one easy action and without tools, thanks to the following 3 features:

■ Removable chassis:

By unlocking all 4 corners of the chassis, the whole chassis can be removed from the XL³-125 cabinet. You can therefore install your equipment on a work surface or fix the back of the cabinet without risking damaging the installed equipment.

■ Pivoting chassis

The chassis can be tilted by unlocking just the bottom or top corners. This makes it easy to run cables through without the various rails and installed devices getting in the way.



■ Removable rail

The rails of XL³ 125 cabinets can be removed from the chassis individually. The rail supports have clips so there is no need to use tools. This makes it easier to access the cables running behind the rails.



CABLE ENTRY PLATE

XL³ 125 cabinets have two cable entry plates, one at the top and one at the bottom, which can be removed and refitted manually without the need for tools. Each plate has a large number of cut-outs for adapting to the different sizes of housing service duct.

Cut-outs can be made in the plates using wire cutters.



CABLE RUNS

XL³ 125 cabinets have two removable cable entry plates, one at the top and one at the bottom. In line with these plates, the back of XL³ 125 cabinets has attachment points for securing cables or sleeves using Colson cable ties.



There are also attachment points between the rails for securing the wiring, horizontally or vertically.



First, open up the hole using a flat screwdriver.



The cables or sleeves are then secured using Colring and Colson cable ties (up to 9 mm wide).



Tilting the chassis makes it easier to run cables behind the equipment. This can be done without tools and in either direction.



The chassis can be pulled out completely to make it easier to fix the cabinet in place, or to install and wire up equipment on a work surface.

Cables can also be run down the side of the chassis using the guide rings supplied with the cabinets or with LINA 25 cable ducting.

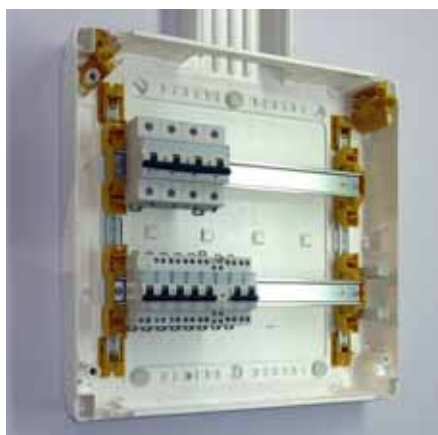


XL³ 125 cabinets can accommodate LINA 25 cable ducting with maximum dimensions of 40 x 60 mm (Cat.No 0 362 07).



MOUNTING MODULAR PRODUCTS AND MOULDED CASES

With a space of 150 mm between the rail fixing centres, any modular product can be installed.



The 2-position rail allows a DPX³ MCCB to be integrated in XL³ 125 cabinets.



With the height spacer Cat.No 0 262 99, DPX³ 125 moulded case products and modular products can be installed on the same rail.

ELECTRICAL BOX ACCESSORIES (for France only)

Electrical boxes take plates for main circuit-breakers used on the French market (eg: BACO incoming circuit-breaker). They can be added to XL³ 125 cabinets vertically or horizontally and are reversible.



Electrical box Cat.No 4 016 52 is used to connect a subscriber MCB. This cabinet is supplied with plate Cat.No 4 011 91, on which the 2-pole or 4-pole "blue tariff" circuit-breaker is fixed (government-regulated French electricity tariff).



Electrical box Cat.No 4 016 53 is used to connect a subscriber MCB and a CBE or LINKY single-phase electronic meter. This cabinet is supplied with plate Cat.No 4 011 81, on which the "blue tariff" circuit-breaker is fixed.



Up to 4 modules can be added to this electrical box, on the modular rail.

DISTRIBUTION SYSTEMS

All standard optimised distribution systems with a cabinet size up to 125 A can be fitted in XL³ 125 cabinets.

IP 2X INSULATED TERMINAL BLOCKS

IP 2X insulated terminal blocks can be fixed directly on the rails of the XL³ 125 cabinet, or on a 12 x 2 bar.



MODULAR DISTRIBUTION BLOCKS

Modular distribution blocks: single-pole, 2-pole or 4-pole; with a voltage up to 500 V; 40 A to 125 A can easily be used in XL³ 125 cabinets.



CONVENTIONAL HX³ PRONG TYPE SUPPLY BUSBARS FOR SCREW TERMINALS

Conventional HX³ busbars supply power to a row or a group of modular devices with screw terminals. Only devices with 1 pole per module and without an add-on module can be connected to these busbars.

VX³ VERTICAL SUPPLY BUSBAR PHASE + NEUTRAL UP TO 63 A

Single-phase 4-pole vertical supply busbars with 150 mm fixing centres are ideal for installation in XL³ 125 cabinets. Their optimised dimensions free up space for fast, reliable connection from one row to the next.

VX³ 4-POLE VERTICAL SUPPLY BUSBAR UP TO 63 A

The 4-pole supply busbar is equipped with automatic output terminals. Distribution is possible via flexible wires, with or without ferrules. This busbar can be supplied with power via the top or bottom screw terminals. Their dimensions and fixing system free up the maximum amount of space on the modular rails or at the back of the cabinet.



Do not work on the 4-pole vertical supply busbar when it is live.

INSTALLATION AND FIXING

All XL³ 125 cabinets have 2 fixing methods via the inside of the cabinet:

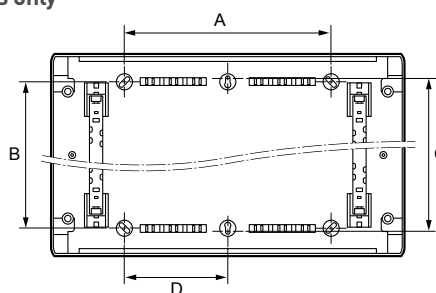
- Fixing from a central point: this hanging method is used to obtain a vertical cabinet thanks to a single central point at the top and 2 points at the bottom

- Fixing with 4 adjustable points

For each fixing point, the maximum screw diameter is 6 mm.

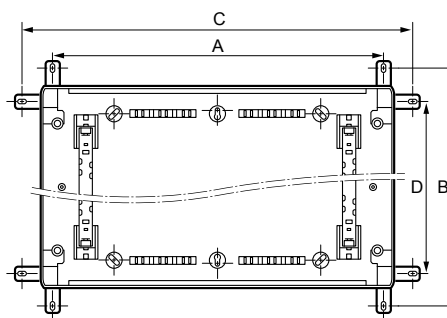
All cabinets are supplied with two sets of 4 plugs on a sprue. Once the cabinet has been fixed to the wall, fitting these plugs maintains the cabinet IP and class II protection.

Cabinets only



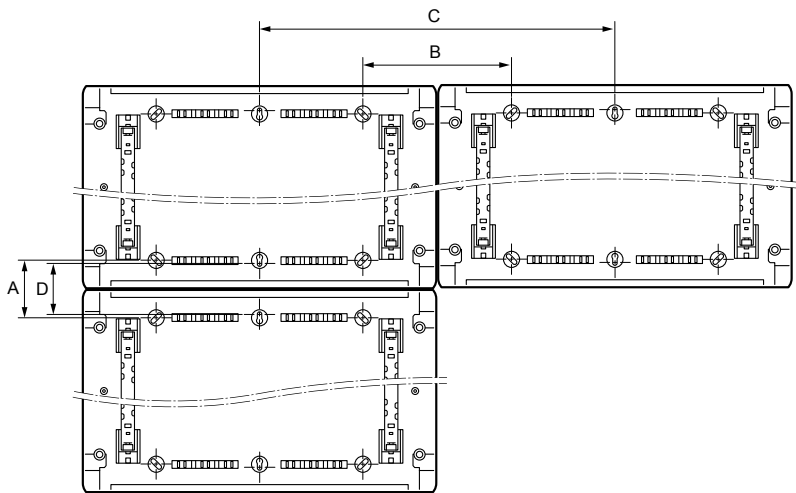
XL ³ 125		A	B	C	D
1 row	4 016 11	260	250	250	130
2 rows	4 016 12	260	365	365	130
3 rows	4 016 13	260	515	515	130
4 rows	4 016 14	260	665	665	130
"Blue tariff"	4 016 52	260	250	250	130
	4 016 53	260	250	250	130

Cabinets only with fixing lugs



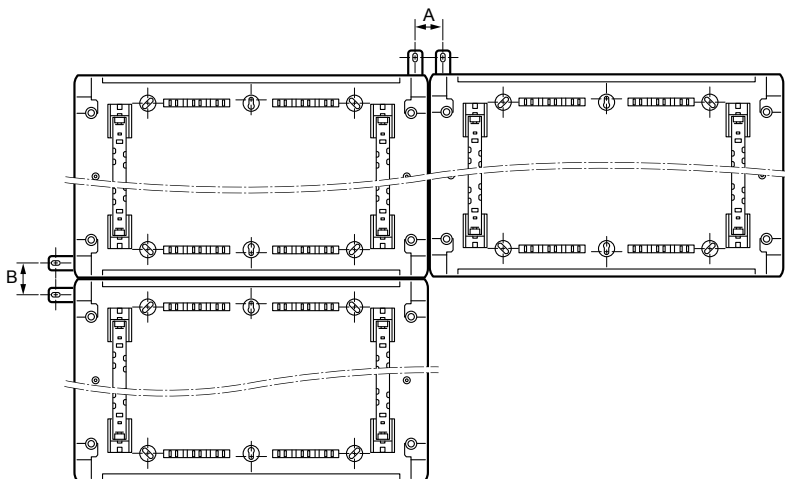
XL ³ 125		A	B	C	D
1 row	4 016 11	406	355	505	213
2 rows	4 016 12	406	505	505	363
3 rows	4 016 13	406	655	505	513
4 rows	4 016 14	406	805	505	663
"Blue tariff"	4 016 52	406	355	505	213
	4 016 53	406	355	505	213

Joined cabinets



XL³ 125	A	B	C	D
All Cat.No	50	190	450	50

Joined cabinets with fixing lugs



XL³ 125	A	B
All Cat.No	44	87



FOLLOW US ON

@ www.legrand.com

 www.youtube.com/legrand

 twitter.com/legrand_news



Head office

and International Department
87045 Limoges Cedex - France

Tel: + 33 (0) 5 55 06 87 87

Fax: + 33 (0) 5 55 06 74 55